

*MiniVap[®]
Series*

porvair
sciences

MANUALLY CONTROLLED NITROGEN BLOWDOWN EVAPORATORS



Microplate evaporators

Porvair evaporators are designed to remove the traditional laboratory 'bottleneck' of solvent evaporation from microplates prior to analysis or reconstitution in storage buffer. These evaporators give significant throughput advantages to laboratories looking to optimise microplate sample preparation productivity. Faster than centrifugal evaporation, significant increases in sample throughput are achieved through advanced evaporator head technology and an innovative manifold design, which directly injects heated nitrogen into each individual well of the microplate simultaneously. The evaporators have been designed to be simple to install, operate and maintain. Installation requires only connection to a gas supply or cylinder and mains electricity. Safety of operation is ensured as the CE marked compact units fit into all fume cupboards. Not suitable for high boiling solvents such as DMSO and water.

Both MiniVap® and MiniVap® Gemini may be operated with a supply of clean, dry compressed air in place of nitrogen, if the chemistry allows. An in-line gas filter must be used in this case.

MiniVap®

The MiniVap® is purpose designed for low usage research and development departments where low numbers of individual plates or vials need drying. The MiniVap® is simple to operate and maintain. Installation requires only connection to a gas supply and standard mains socket. With manual control of the needle depth, gas temperature and flow rate, it allows fine control and quicker drying times than other standard methods.



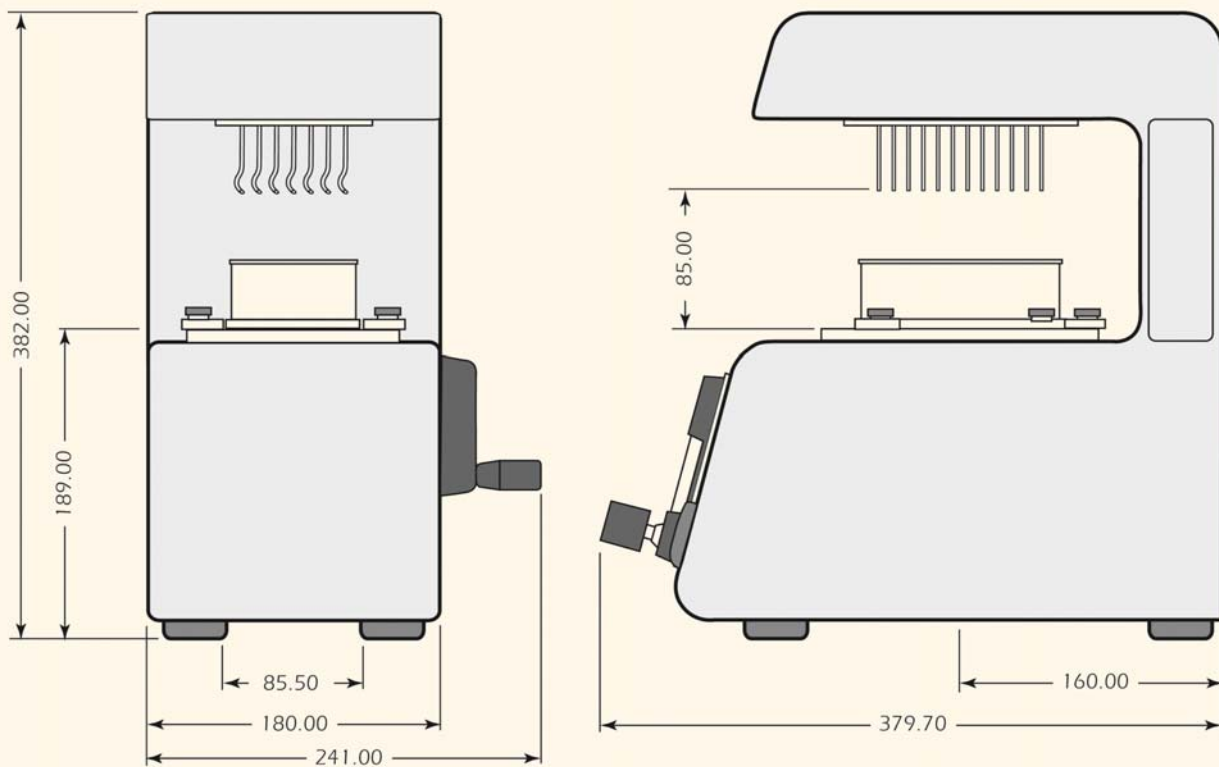
MiniVap® 229206 with 229409 head



229206
with 229410

- Quicker dry down times than standard methods such as vacuum oven
- Tests have shown that the MiniVap® can evaporate 500µl of methanol in less than 6 minutes
- Designed for any ANSI/SLAS 96-well plate
- 24 vial head now available
- Simple to install and operate
- Easy adjustments of temperature, gas flow rates and needle depth into the wells
- Compact footprint – fits all standard fume cupboards

MiniVap®



(DIMENSIONS IN MILLIMETRES)



Ordering information

| Description | Qty/pack | Cat. no. |
|--|----------|----------|
| Blowdown Evaporator MiniVap® (110/230 volts), without a head | 1 | 229206 |
| 96 Needle Head with spiral needles for all Porvair evaporators | 1 | 229072 |
| 96 Needle Head with straight needles for all Porvair evaporators | 1 | 229036 |
| 384 Needle Head with straight for Ultravap® RC. Mistral & Levante only | 1 | 229073 |
| 24 Needle Head with straight for all Porvair evaporators | 1 | 229409 |
| Dedicated 48 Needle Head straight for use with HPLC vial adaptor for all Porvair evaporators | 1 | 229410 |
| 12 Needle Head, 48mm straight for all Porvair evaporators, with gasket | 1 | 229414 |
| 12 Needle Head, 38mm straight for all Porvair evaporators, with gasket | 1 | 229415 |
| Gasket for Needle Head manifold, for all Porvair evaporators | 1 | 229048 |
| Vial adaptor for 48 x 1.5 ml HPLC vials (Agilent/Chromacol etc.) black polypropylene | 1 | 500109 |
| 24-well 12 mm i.d. Vial Holder for solid aluminium, for all Porvair evaporators | 1 | 229650 |
| Disposable plastic vial rack with clear bottom for 13.75mm o.d. glass vials x 24 | 5 | 229216 |



A two-position nitrogen blowdown concentrator and evaporator for the budget-conscious laboratory

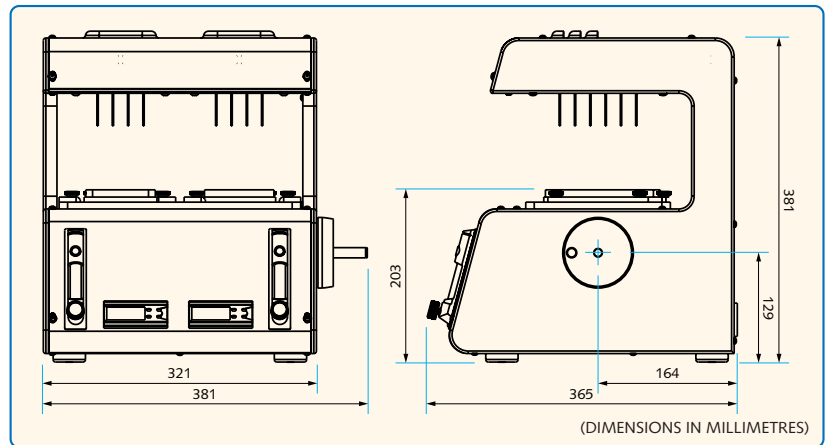
Porvair nitrogen blowdown evaporators have for many years been a central resource for sample preparation in the laboratory. The ability to safely and easily remove organic and chromatographic solvents from samples is vitally important. Samples can be dried down and re-constituted in a more suitable solvent, or they may simply be concentrated before analysis to increase sensitivity.

The nitrogen blowdown process is ideal for lower boiling point organic solvents such as methanol, dichloromethane, hexane and acetonitrile. The robust design of the MiniVap® Gemini brings together for the first time in our range two individually temperature-regulated evaporation positions with a wide choice of head styles and configurations. This means you can dry down a 96-well deep well plate at the same time as 48 HPLC vials. This breakthrough in productivity will speed up the evaporation bottleneck in your laboratory, increase the sensitivity of your analyses and quicken sample processing times.



Ordering information

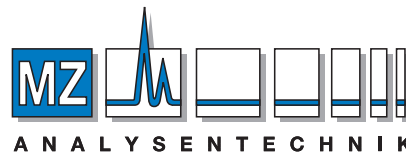
| Description | Qty/Pack | Cat. No. |
|--|----------|----------|
| MiniVap® Gemini Blowdown Evaporator (110/230 volts), without heads | 1 | 500234 |



MiniVap® and MiniVap® Gemini Specification

| | | | |
|--------------------------|---|-------------------------|---|
| Voltage | 110v or 220v auto ranging power supply | Gas control | One or two independent needle valve controls |
| Max current | 10A | Gas flow rate | Heaters inactive below 35l/min flow rate, max flow 70 L/min PER HEAD |
| Heaters | Ambient to 60°C | Gas requirements | Supply at 3-7bar and up to 80L/Min (MiniVap®), 160L/Min (Gemini using both heads) |
| Heater setting | Via TK-32 programmers (2) | Vertical travel | 80mm (depends on plate height) |
| Evaporation heads | MiniVap®: 1, MiniVap® Gemini: 2, interchangeable 24, 48, 96 straight or 96 spiral needles | Plate adjustment | Manual. Simultaneous for both plates (Gemini only) |
| Gas inlet | MiniVap®: 6mm. MiniVap® Gemini: 8mm i.d. QuickConnect | Plate locators | One or two sets, individually adjustable |
| Gas pressure | Minimum 3bar, maximum 7bar | | |

P/N 420009 © Porvair Sciences Limited 2018.
Produced by Cream Ink Limited www.creamink.com
Printed in the UK. All trademarks acknowledged.



AUTHORIZED DISTRIBUTOR

MZ-Analysentechnik GmbH
Barcelona-Allee 17 • D-55129 Mainz
Tel +49 6131 880 96-0
Fax +49 6131 880 96-20
e-mail: info@mz-at.de
www.mz-at.de

Sales and Customer Services

Porvair Sciences Ltd Clywedog Road South Wrexham Industrial Estate Wrexham North Wales UK LL13 9XS
Tel: +44 (0) 1978 666222 email: int.sales@porvair-sciences.com www.microplates.com