

# Empore™

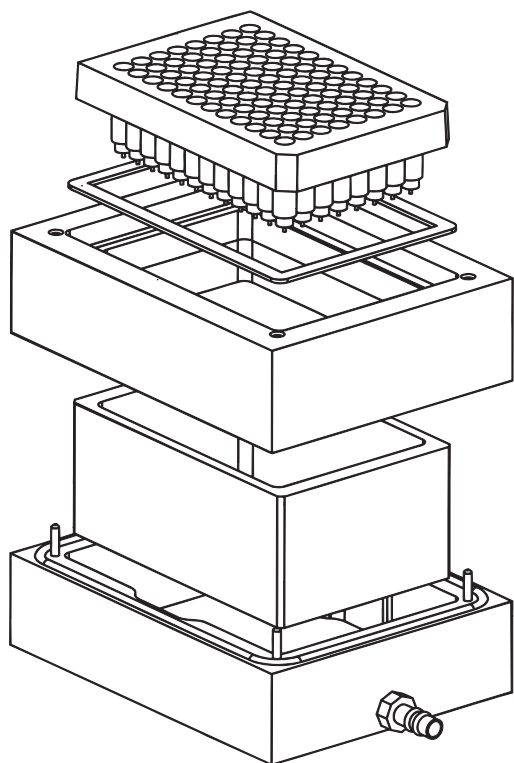
## 96-Well Solid Phase Extraction Plates

### Product List

Sorbent	Suggested Applications	Product Number	
		Standard 1.2 mL	Deep Well 2.5 mL
C8 Bonded Silica	Moderately nonpolar analytes	6014SD	6314SD
C18 Bonded Silica	Strongly nonpolar analytes	6015SD	6315SD
MPC-SD (Mixed Phase Cation-Standard Density)	Moderately nonpolar and ionized analytes	6030SD	6330SD
UR (Universal Resin)	Mixed phase suitable for hydrophilic (acidic or basic) and moderately hydrophobic analytes	6045SD	6345SD
Filter Plate	Filtration of precipitated proteins and other particulates	6065	6360

Accessory	Product Number
96-Well Plate Manifold	610
Replacement Gasket for 96-Well Plate Vac. Manifold	615
Sealing Tape Pad for 96-Well Plates	660





### Important Notice

CDS Analytical MAKES NO WARRANTIES, EXPRESS OR IMPLIED, INCLUDING, BUT NOT LIMITED TO, ANY IMPLIED WARRANTY OF MERCHANTABILITY OR FITNESS FOR A PARTICULAR PURPOSE. Since a variety of factors can affect the use and performance of a CDS Analytical product in a particular application, some of which are uniquely within the user's knowledge and control, user is responsible for determining whether or not the CDS Analytical product is fit for a particular purpose and suitable for user's method of application.

### Warranty

Seller warrants its equipment against defects in workmanship and material for a period of 12 months from date of shipment from the factory under normal use and service and otherwise when such equipment is used in accordance with instructions furnished by Seller and for purposes disclosed in writing at the time of purchase, if any. Any unauthorized alteration or modification of the equipment by Buyer will void this warranty. Seller's liability under this warranty shall be limited to the replacement or repair, F.O.B., point of manufacture, of any defective equipment or part which, having been returned to the factory, transportation charges prepaid, has been inspected and determined by Seller to be defective. THIS WARRANTY IS IN LIEU OF ANY OTHER WARRANTY, EITHER EXPRESSED OR IMPLIED, AS TO DESCRIPTION, QUALITY, MERCHANTABILITY, FITNESS FOR ANY PARTICULAR PURPOSE OR USE, OR ANY OTHER MATTER. Under no circumstances shall Seller be liable to Buyer or any third party for any loss of profits or other direct or indirect costs, expenses, losses or consequential damages arising out of or as a result of any defects in or failure of its products or any part or parts thereof or arising out of or as a result of parts or components incorporated in Seller's equipment but not supplied by the Seller.

### Technical Information and Data

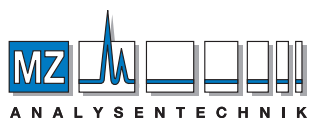
Technical information and data, recommendations, and other statements provided by CDS Analytical are based on information, tests, or experience which CDS Analytical believes to be reliable, but the accuracy or completeness of such information is not guaranteed. Such technical information and data are intended for persons with knowledge and technical skills sufficient to assess and apply their own informed judgment to the information. No license under any CDS Analytical or third party intellectual property rights is granted or implied with this information.

### Safety and Disposal

Always follow safe handling practices while processing Empore products as applicable to your use. Always wear appropriate personal protective equipment while processing Empore products as applicable to your use. Dispose of used Empore products per requirements of your process. Alteration or addition of other materials to Empore products may require unique disposal protocols. Always dispose of used product in accordance with federal, state and local requirements.

CDS Analytical, LLC Headquarter:  
465 Limestone Road  
Oxford, PA 19363-0277 USA  
Tel.: 1-800-541-5963 (US); 1-610-932-3636 (International)  
Website: [www.cdsanalytical.com](http://www.cdsanalytical.com)  
Email: [info@cdsanalytical.com](mailto:info@cdsanalytical.com)

Empore is a trademark of CDS Analytical. Used under license.  
© CDS Analytical LLC. 2018 All rights reserved.  
GN-18 10/23 5K Printed in USA



AUTHORIZED DISTRIBUTOR

MZ-Analysentechnik GmbH  
Barcelona-Allee 17 • D-55129 Mainz  
Tel +49 6131 880 96-0  
Fax +49 6131 880 96-20  
e-mail: [info@mz-at.de](mailto:info@mz-at.de)  
[www.mz-at.de](http://www.mz-at.de)

**Note:** Empore Solid Phase Extraction Products are intended for solid phase extraction during scientific research only. These products are not intended for use in medical devices or in assessment and treatment of clinical patients.